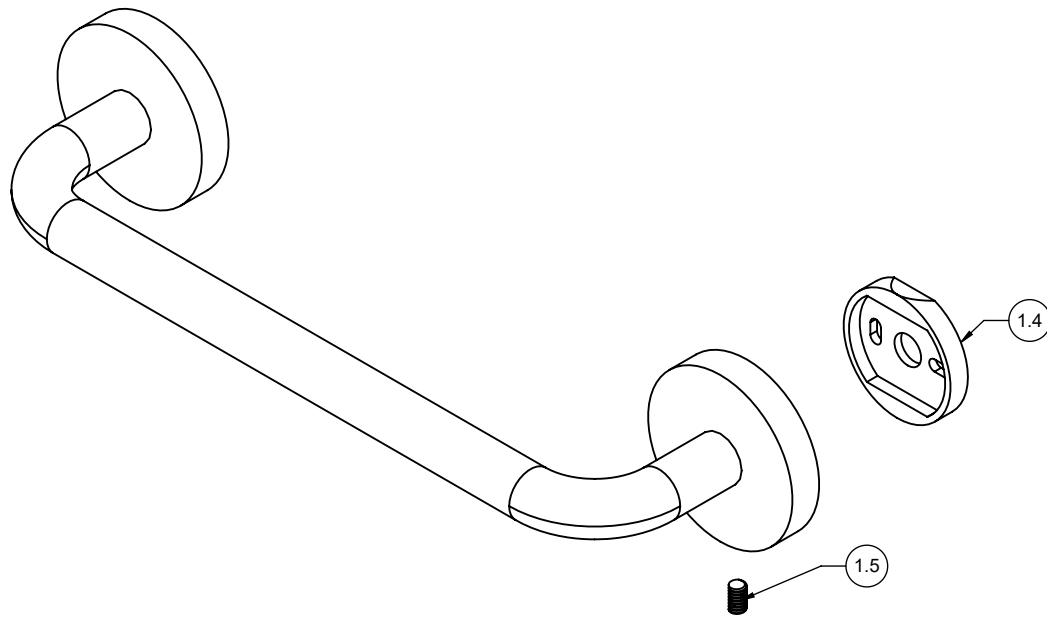


74-9  
74-18  
74-24



To order spare parts add and/or replace as stated below:

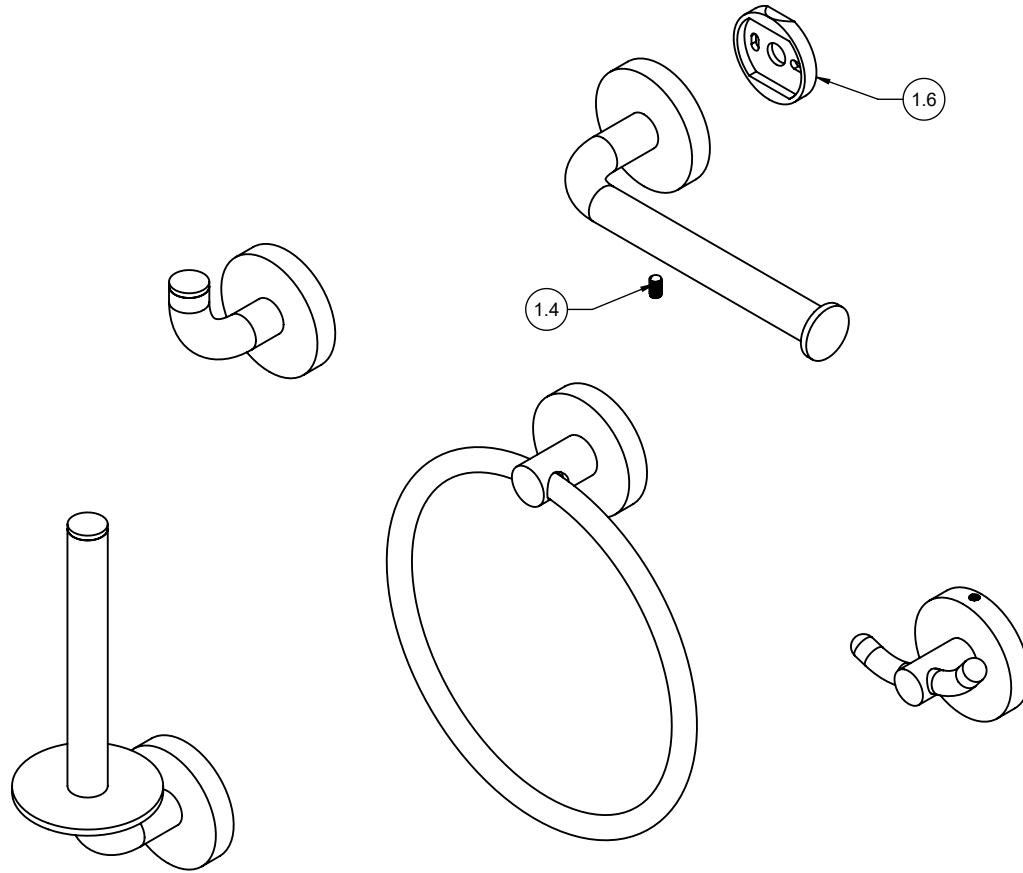
**SPD-** prefix added to part number(s)  
**-ZZ** replaced with finish code (see finish table)  
**-WW** replaced with **-90** (light finish) or **-96** (dark finish)

Ex: **SPD-7-100463-PC** or **SPD-86030-96**

| ITEM | PART NO   | DESCRIPTION                                      | QTY. |
|------|-----------|--|------|
| 1.4  | 880443-97 | WALL MOUNT, Ø40MM W/2 BEVELS, ACC                | 2    |
| 1.5  | 86176-90  | SETSCREW M5 X 0.8 X 12MM SCKT HD CUP PT SS       | 2    |
| 1.6  | 882811-99 | SCREW, FH, PH SHEET METAL, 8 X 1-1/2" FOR ACCESS | 2    |
| 1.7  | 86154-81  | ANCHOR, TOGGLE, 3/8"-1/2" WALL                   | 2    |
| 1.8  | 880007-91 | KEY, ALLEN, 2.5MM                                | 1    |

for ITEM 1.5

74-TR  
74-RH  
74-DRH  
74-STP  
74-VTP



To order spare parts add and/or replace as stated below:

**SPD-** prefix added to part number(s)  
**-ZZ** replaced with finish code (see finish table)  
**-WW** replaced with **-90** (light finish) or **-96** (dark finish)

Ex: **SPD-7-100463-PC** or **SPD-86030-96**

| ITEM | PART NO   | DESCRIPTION                                      | QTY. |
|------|-----------|--|------|
| 1.4  | 86176-90  | SETSCREW M5 X 0.8 X 12MM SCKT HD CUP PT SS       | 1    |
| 1.6  | 880443-97 | WALL MOUNT, Ø40MM W/2 BEVELS, ACC                | 1    |
| 1.7  | 86154-81  | ANCHOR, TOGGLE, 3/8"-1/2" WALL                   | 2    |
| 1.8  | 882811-99 | SCREW, FH, PH SHEET METAL, 8 X 1-1/2" FOR ACCESS | 2    |
| 1.9  | 880007-91 | KEY, ALLEN, 2.5MM                                | 1    |

for ITEM 1.4